

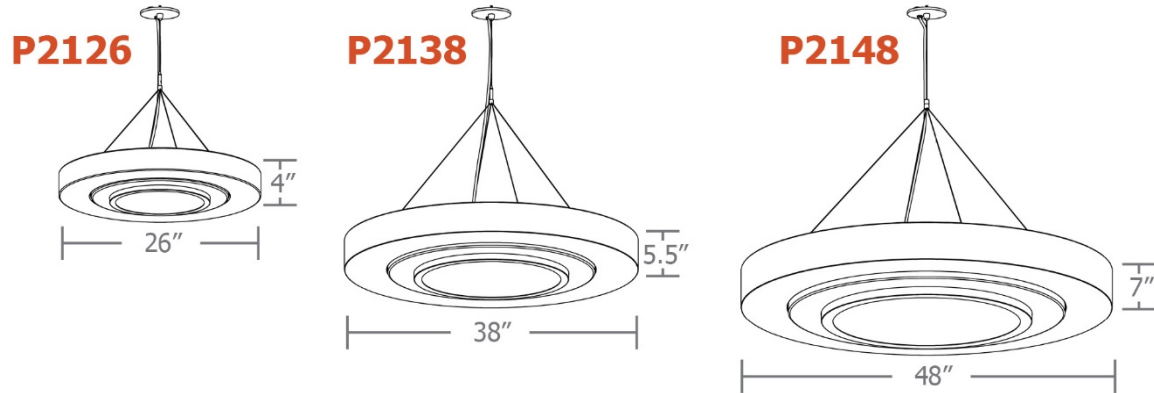


impulse™ 5-slider

your lighting rep has
recommended the **impulse™**
pendant for your project
Let's take a quick look:



sizes and lumens



- P2126 (26") / 1690 – 6701 lm
- P2138 (38") / 3385 – 13165 lm
- P2148 (48") / 5075 – 19750 lm



construction

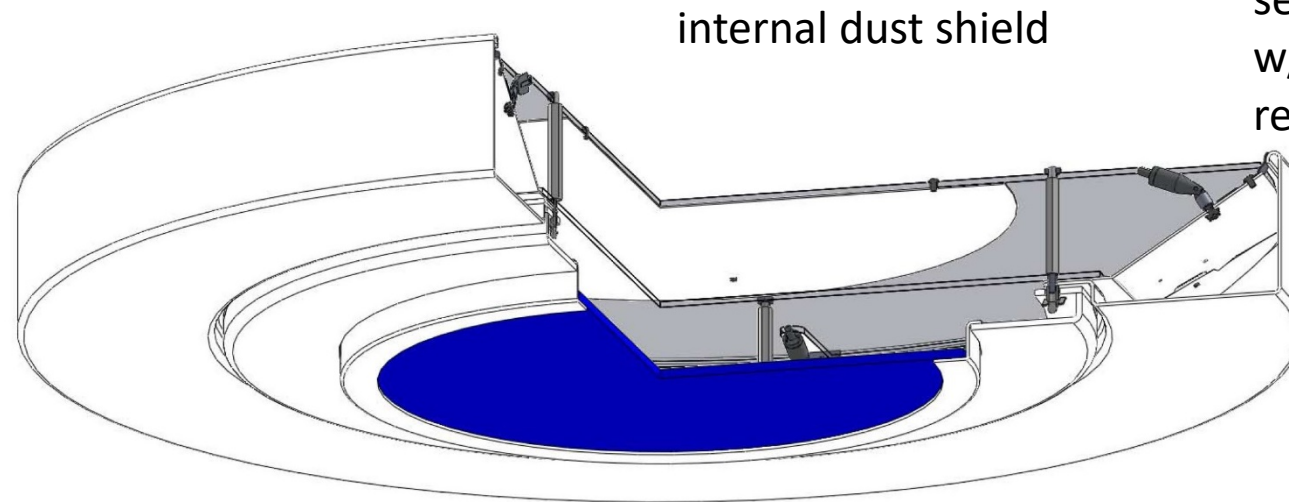
5" dia. spun steel canopy with sloped ceiling adapter, single stainless steel cable connects to collector branching off into four field adjustable mounting cables for exact AFF mounting height

high lumen indirect light distribution

integral programmable drivers, constant current, field maintainable, universal input (120v-277v), 0-10v controllable to 1% dimming.

no visible mounting hardware

precision CNC spun .063" aluminum housing w/rolled top edge for added strength



segmented aluminum reflector w/ powder coat painted high reflectance matte white finish

metal core LED boards mechanically held in place for easy maintenance

aluminum center disc reflector to gently illuminate the .125" gloss acrylic bottom disk

.125" gloss acrylic bottom disk available in translucent colors: blue, orange, prismatic, red

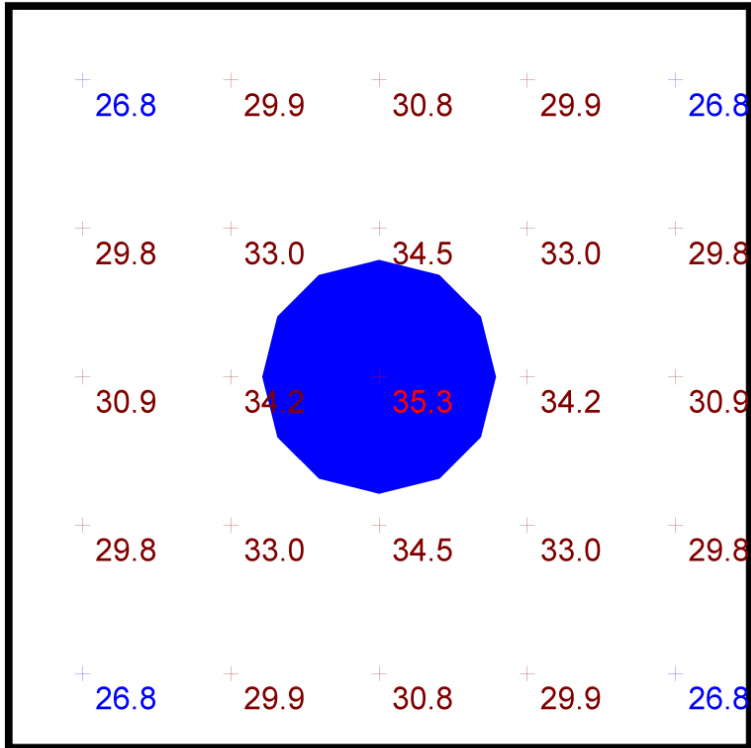
21 standard powder coat paint finishes + custom RAL colors



performance

Statistics

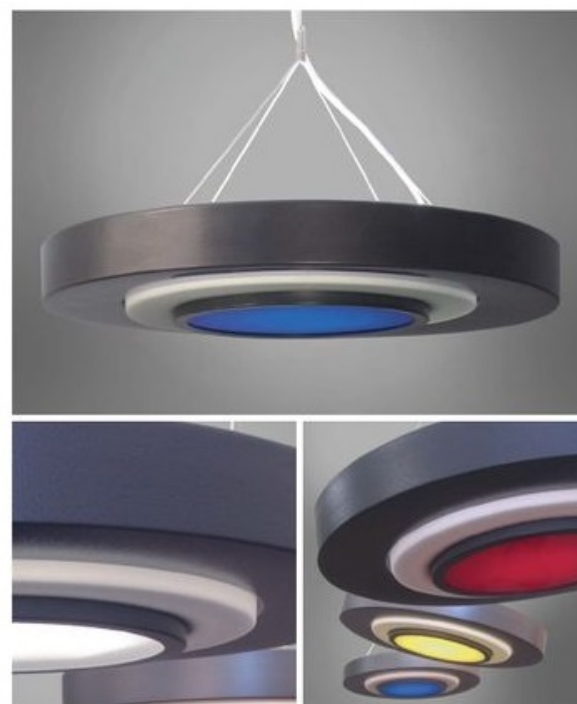
Description	Symbol	Avg	Max	Min	Max/Min	Avg/Min
impulse	+	31.0 fc	35.3 fc	26.8 fc	1.3:1	1.2:1



Plan View
Scale - 1" = 2ft

- 10' x 10' x 10'H space
- 80/50/20 reflectances
- bottom of fixture at 8' aff
- FC readings at 2.5' aff
- layout conducted using P2138 HI output (13165 delivered lumens)





impulse™

www.impactltg.com

- spec sheet and color chart
- photometric files and BIM models
- built to order in Saint Louis, MO, USA
- 4-week lead time

impulse™ 5-slider

